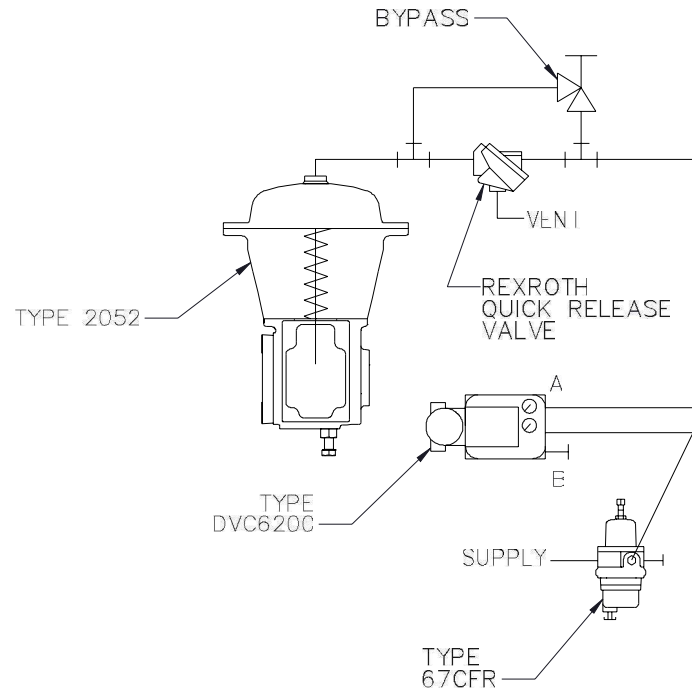


FEATURES PICTORIALLY TYPICAL ORIENTATION MAY DIFFER



VALVE OPENS ON AIR FAILURE



DIMENSIONS CERTIFIED CORRECT BY FISHER CONTROLS				DATE 9/24/2012		
CUST: APPLIED CONTROL EQUIPMENT CUST REF NO.: 567819 FISHER REF NO.: 018 -F009360846 TAG NO.: BBD-LCV-1122-40			V300 VALVE BODY SIZE 6 2052 ACTUATOR SIZE 2			
SERIAL NO.: F000200139 CUST LINE NO.: 000001			SCHEMATIC			
REVISIONS - CHANGES INDICATED BY □		DWN.	ADS	8/20/2012	REP LINE NO.:00000'	E
		CHKD.	TNC	9/24/2012	DWG. NO.	REV.
		APVD.			AAB33796	A
		SCALE:	NONE			
© Fisher Controls Intl. LLC 2012				SHEET 2 OF 2		

M014200-BBDM00020 S02 RA

NO EXCEPTIONS NOTED | Release for manufacture